

Heli's display is conveniently placed on the dash so operator can monitor truck's working condition, fault codes and other vital information

**Standard configuration**

Horn	Front combo lights	Speed-limiting valve
Three-spool control valve	Transmission oil filter	Lifting and tilting operation lever
3-stage full free lift mast	Rear combo lights	Tow pin
Power steering	Back-up alarm	Overhead guard
Semi-suspension seat	Overhead guard rain cover	Combined display
Load backrest	Standard forks	LPG Low Fuel Indicator
Rear view mirror	Integrated electric box	

**Optional**

Max. speed control system	Lifting OPS control system	LED headlights
LED Rotating Light	Torque converter oil temperature meter	No hand brake alarm
Dual Air Filter	Optional attachments	Rear grab handle with horn button
Hydraulic Fork Positioner	Rotating seat for LPG	
Rear work light	Swing Out/Drop-Down LPG Bracket	



**4000-6500 lbs (2-3.2 ton)  
H3C IC Cushion Tire Forklift  
CP(Q)YD20-32C**

**H3C series** | HIGH EFFICIENCY  
ENERGY SAVING

**CP(Q)YD20-32C**



**Heli H3C Series Features**  
*Improved performance  
Superior quality*

**> Ergonomics**

- > Vibration isolators separate the operator compartment from the main frame and the engine/transmission which absorb the truck's vibration for increased operator comfort
- > Engine performance and repositioned hydraulic pump offer quieter and smoother operation and less noise
- > Improved hydraulic control functions also reduce noise and increase performance

**> Operator Comfort - Visibility**

- > Operator compartment has been enhanced by creating more foot and leg room with plenty of head room under the overhead guard
- > Visibility has been improved with narrower mast channels and more open overhead guard
- > Higher contrast LED display makes it easier to see in all lighting conditions
- > Comfortable suspension seat is standard with full adjustment for different operators
- > Low, wide step and grab handle make for easy entry to operator's compartment
- > Controls and park brake are within easy reach to reduce operator strain

**> Increased Productivity**

- > Smaller turning radius and hydraulic power steering makes for tighter turns and easier steering operation
- > Reliable powershift transmission relieves operator from constantly shifting transmission
- > H3C series hydraulic performance has been enhanced for maximum productivity
- > Ergonomically designed operator's compartment enhances operator productivity, as well as providing safety and comfort

**> Improved Performance**

- > All aluminum radiator increases air flow and dissipates heat more efficiently
- > Smaller steering wheel with fewer turns lock-to-lock for quicker turns
- > 35% faster lifting speeds over previous generations  
Lifting cylinders are damped to reduce noise and provide smoother operation
- > Heavy duty powertrain offers exceptional performance in all applications

**> Serviceability**

- > Hood opens to an 80 degree angle and floor board is removable for easier access to all important chassis components
- > Electrical system, wiring, and hydraulic hoses are convenient and logically laid out with access from above and below
- > All grease points are accessible, including cast steel axle
- > Lubrication chart is located on front of operator compartment to highlight essential lubrication requirements

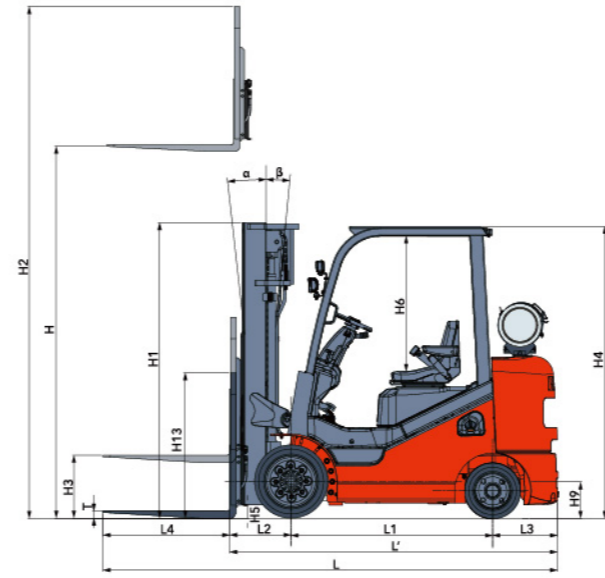
**> Safety**

- > All Heli forklifts for North America meet ANSI B56.1 Safety Standard for Powered Industrial Trucks as well as meeting requirements for CE approval
- > All Heli forklifts come standard with Operator Presence System
- > Optional rear grab handle and horn button allows operator to safely drive in reverse
- > Strobes, Beacons or Blue Lights and Alarms are all available



**Manufacturers Data and Design Characteristics**

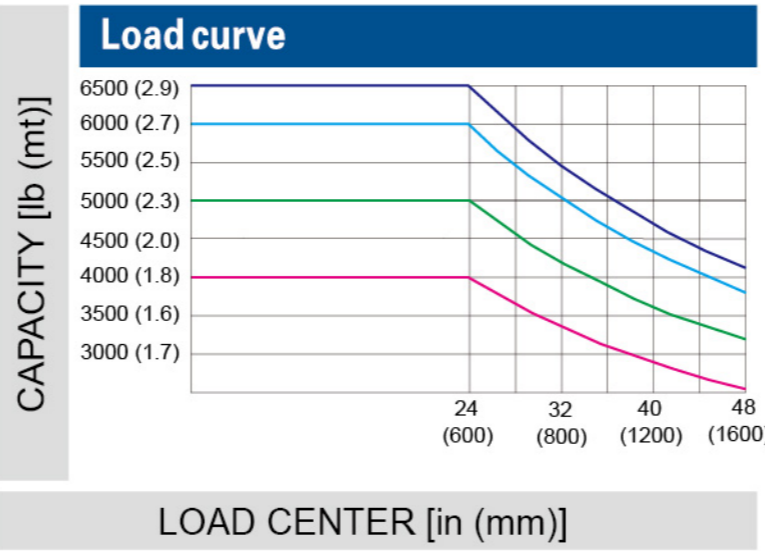
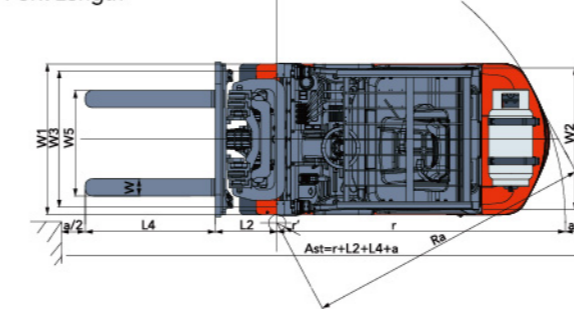
Character		HELI															
		CP(Q)YD20C				CP(Q)YD25C				CP(Q)YD30C				CP(Q)YD32C			
1.01	Manufacturer																
1.02	Model																
1.03	Power unit	LPG/DualFuel															
1.04	Rated capacity	lb	kg	4000	1815	5000	2267	6000	2720	6500	2950						
1.05	Load center	in	mm	24	610	24	610	24	610	24	610						
1.06	Operation mode	type	type	Seated				Seated				Seated					
Size																	
2.01	Max.lifting height	H	in	mm	185	4700	185	4700	185	4700	185	4700					
2.02	Mast overall height(fork to the ground and mast be vertical)	H1	in	mm	85	2160	85	2160	88	2230	88	2230					
2.03	Max.fork lifting height(with backrest)	H2	in	mm	224	5700	224	5700	232	5900	232	5900					
2.04	Free lift height	H3	in	mm	44	1120	44	1120	39	990	39	990					
2.05	Overall height(overhead guard)	H4	in	mm	83.0	2120	83.0	2120	83.0	2120	83.0	2120					
2.06	Min.ground clearance(at the mast)	H5	in	mm	3.5	90	3.5	90	3.5	90	3.5	90					
2.07	Distance from the surface of the seat to the overhead guard	H6	in	mm	41.0	1030	41.0	1030	41.0	1030	41.0	1030					
2.08	Traction pin height	H9	in	mm	10.0	250	10.0	250	10.0	250	10.0	250					
2.09	Backrest height(calculated from the surface of the fork)	H13	in	mm	40.0	1009	40.0	1009	48.0	1227	48.0	1227					
2.10	Overall length(with fork/without fork)	(L/L')	in	mm	128.7/92.5	3270/2350	136.8/94.5	3475/2405	140.9/97.8	3555/2485	141.9/99	3585/2515					
2.11	Wheel base	L1	in	mm	58.0	1465	58.0	1465	58.0	1465	58.0	1465					
2.12	Front overhang	L2	in	mm	17.5	445	17.5	445	18.1	460	18.1	460					
2.13	Rear overhang	L3	in	mm	16.7	425	19.1	485	21.7	550	22.6	575					
2.14	Overall width	W1	in	mm	42.0	1070	42.0	1070	44.0	1120	44.0	1120					
2.15	Tread (front tread/rear tread)	(W3/W2)	in	mm	35.1/36.2	892/920	35.1/36.2	892/920	36.1/36.2	917/920	36.1/36.2	917/920					
2.16	Fork adjustable range(the external of the fork)(Max./Min.)	W5	in	mm	40.3/7.85	1024/200	40.3/7.85	1024/200	40.3/7.85	1024/200	40.3/7.85	1024/200					
2.17	Min.turning radius(exterior)	r	in	mm	76	1930	80.7	2050	81.9	2080	81.9	2080					
2.18	Min.turning radius(interior)	r'	in	mm	2.56	65	2.56	65	2.56	65	2.56	65					
2.19	Min.right angle stacking aisle width	Ra	in	mm	92.5	2350	94.9	2410	97.2	2470	98.8	2510					
2.20	Mast tilting angle	$\alpha / \beta$			6°/5°	6°/5°	6°/5°	6°/5°	6°/5°	6°/5°	6°/5°						
2.21	Fork size	L4×W×T	in	mm	36×4.8×1.57	920×122×40	42×4.8×1.57	1070×122×40	42×4.9×1.77	1070×125×45	42×4.9×2.0	1070×125×50					
Performance																	
3.01	Max.traveling speed (Loaded/Unloaded)	mph	Km/h	10.8/10.8	17/17	10.8/10.8	17/17	10.8/10.8	17/17	10.8/10.8	17/17						
3.02	Lifting Speed (Loaded/Unloaded)	fpm	mm/s	103/118	525/600	103/118	525/600	96/106	490/540	96/106	490/540						
3.03	Lowing Speed (Loaded/Unloaded)	fpm	mm/s	88/98	450/500	88/98	450/500	88/98	450/500	88/98	450/500						
3.04	Max.drawbar pull (Loaded/Unloaded)	KN	KN	20/12	450/500	20/12	450/500	20/12	450/500	20/12	450/500						
3.05	Max.Gradeability (Loaded/Unloaded)	%	%	35/20		32/20		25/20		25/20							
Weight																	
4.01	Total weight	lb	kg	8466	3840	9480	4300	10725	4865	11067	5020						
4.02	Weight distribution loaded (front/rear)	lb	kg	10965/1500	4975/680	12785/1742	5800/790	14495/2225	6575/1010	15210/2360	6900/1070						
4.03	Weight distribution unloaded (front/rear)	lb	kg	4080/4286	1850/1990	4010/5470	1820/2480	4155/6570	1885/2980	4010/7057	1820/3200						
Wheel and tire																	
5.01	Wheel number x = drive wheel (front/rear)	2X/2				2X/2				2X/2				2X/2			
5.02	Tire type(front/rear)	type	type	Cushion tire				Cushion tire				Cushion tire					
5.03	Tire size(front/rear)	in	in	21×7-15/16×6-10.5				21×8-15/16×6-10.5				21×8-15/16×6-10.5					
5.04	Service brake	type	type	Hydraulic-Foot Pedal				Mechanical-Hand Lever									
5.05	Parking brake	type	type														
Engine Model and Specification																	
Engine type		LPG/Dual															
Battery(Voltage/Capacity)		V/Ah	V/Kwh	12/60	12/0.72	12/60	12/0.72	12/60	12/0.72	12/60	12/0.72						
Engine mode		Mitsubishi 4G64 (PSI)															
Engine rated power		HP/rpm	KW/rpm	Gas 65/2700; LPG 63/2700	Gas 48/2700; LPG 46/2700	Gas 69/2700; LPG 64/2700	Gas 52/2700; LPG 48/2700	Gas 57.4/2600; LPG 57.9/2500	Gas 42.8/2600; LPG 43.2/2500								
Engine rated torque		(ft)lb/rpm	Nm/rpm	Gas 125/2400; LPG 124/1600	Gas 170/2400; LPG 168/1600	Gas 134.9/2400; LPG 130.5/1600	Gas 183/2400; LPG 177/1600	Gas 120.5/1400; LPG 128.2/1400	Gas 163.3/1400; LPG 173.7/1400								
Engine cylinder number-bore x stroke		4-3.41×3.94				4-86.5×100				4-3.46×4.031				4-88.0×102.4			
Piston displacement		cu in	L	143.47				152				2.491					
Emission standards		EPA Carb				Non Certified				EPA Carb							
Engine fuel tank capacity		gal	L	13	50	13	50	13	50	13	50						
Transmission box shifting gears(front/rear type)		type	type	1-1Power Shift T/M													



Ast: Right angle stacking aisle width

a: Clearance

L4: Fork Length



NOTE: Capacities shown are reference only. They are computed with mast in vertical position based on 48 inch cube load configuration with center of gravity at true center of cube and standard forks. Longer forks and unusually wide loads can reduce capacity. Consult dealer for any questions about capacities.

**4000-6500lb WIDE VIEW MAST**

Mast model	Max. lifting height	Loading capacity-loading center 24				Mast Overall Height fork to the ground		Freelift (With Backrest)		Service Weight						Mast tilt angle (Fw/Bwd) deg		
		CP(Q)YD20C	CP(Q)YD25C	CP(Q)YD30C	CP(Q)YD32C	CP(Q)YD20-25C	CP(Q)YD30-32C	CP(Q)YD20-25C	CP(Q)YD30-32C	CP(Q)YD20C		CP(Q)YD25C		CP(Q)YD30C			CP(Q)YD32C	
M200	79/2000	4000/1800	5000/2250	6000/2750	6500/2950	59/1495	65/1640	5.7/145	5.7/145	7511	3410	8524	3870	9846	4470	10187	4625	6/8
M250	98/2500	4000/1800	5000/2250	6000/2750	6500/2950	69/1745	74/1890	5.7/145	5.7/145	7610	3455	8623	3915	9945	4515	10286	4670	6/8
M270	106/2700	4000/1800	5000/2250	6000/2750	6500/2950	73/1845	78/1990	5.7/145	5.7/145	7654	3475	8667	3935	9978	4530	10330	4690	6/8
M300	118/3000	4000/1800	5000/2250	6000/2750	6500/2950	79/1995	84/2140	5.7/145	5.7/145	7709	3500	8722	4022	10022	4550	10374	4710	6/8
M330	130/3300	4000/1800	5000/2250	6000/2750	6500/2950	84/2145	90/2290	5.7/145	5.7/145	7797	3540	8811	4000	10099	4585	10452	4745	6/8
M350	138/3500	4000/1800	5000/2250	6000/2750	6500/2950	88/2245	94/2390	5.7/145	5.7/145	7830	3555	8844	4015	10132	4600	10485	4760	6/8
M370	146/3700	4000/1800	5000/2250	6000/2750	6500/2950	92/2345	98/2490	5.7/145	5.7/145	7874	3575	8888	4035	10176	4620	10529	4780	6/8
M400	157/4000	4000/1800	5000/2250	6000/2750	6500/2950	100/2545	106/2690	5.7/145	5.7/145	7808	3545	8503	4110	10330	4690	10683	4850	6/8
M425	167/4250	4000/1800	5000/2250	6000/2750	6500/2950	105/2670	111/2815	5.7/145	5.7/145	8084	3670	9097	4130	10385	4715	10727	4870	6/8
M450	177/4500	4000/1800	5000/2250	6000/2750	6500/2950	110/2795	116/2940	5.7/145	5.7/145	8150	3700	9163	4160	10441	4740	10782	4895	6/8
M475	187/4750	3850/1750	4850/2200	5950/2700	6390/2900	115/2920	121/3065	5.7/145	5.7/145	8194	3720	9207	4180	10485	4760	10837	4920	6/8
M500	197/5000	3410/1540	4290/1945	5510/2500	5950/2700	120/3045	126/3190	5.7/145	5.7/145	8249	3745	9262	4205	10540	4785	10892	4945	3/3
M550	217/5500	3300/1495	4180/1890	5290/2400	5680/2570	132/3345	137/3490	5.7/145	5.7/145	8447	3835	9460	4295	10738	4875	11090	5035	3/3
M600	236/6000	3085/1400	3260/1480	3750/1700	4360/1980	142/3595	147/3740	5.7/145	5.7/145	8557	3885	9570	4345	10837	4920	11189	5080	3/3

**4000-6500lb WIDE VIEW FULL FREE 2-STAGE MAST**

Mast model	Max. lifting height	Loading capacity-loading center 24				Mast Overall Height fork to the ground		Freelift (With Backrest)		Service Weight						Mast tilt angle (Fw/Bwd) deg		
		CP(Q)YD20C	CP(Q)YD25C	CP(Q)YD30C	CP(Q)YD32C	CP(Q)YD20-25C	CP(Q)YD30-32C	CP(Q)YD20-25C	CP(Q)YD30-32C	CP(Q)YD20C		CP(Q)YD25C		CP(Q)YD30C			CP(Q)YD32C	
ZM200	79/2000	4000/1800	5000/2250	6000/2750	6500/2950	59/1495	65/1640	19/484	19/484	7566	3435	8568	3890	9890	4490	10231	4645	6/8
ZM250	98/2500	4000/1800	5000/2250	6000/2750	6500/2950	69/1745	74/1890	29/734	29/734	7687	3490	8700	3950	10022	4550	10363	4705	6/8
ZM270	106/2700	4000/1800	5000/2250	6000/2750	6500/2950	73/1845	78/1990	33/834	33/834	7687	3490	8711	3955	10022	4550	10385	4715	6/8
ZM300	118/3000	4000/1800	5000/2250	6000/2750	6500/2950	79/1995	84/2140	39/984	39/984	7753	3520	8764	3979	10066	4570	10407	4725	6/8
ZM330	130/3300	4000/1800	5000/2250	6000/2750	6500/2950	84/2145	90/2290	45/1134	45/1134	7830	3555	8844	4015	10143	4605	10485	4760	6/8
ZM350	138/3500	4000/1800	5000/2															